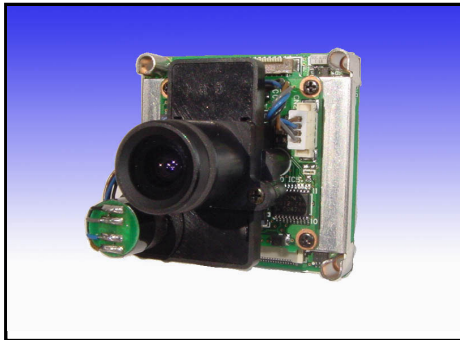


Model  
**VPC-795BDN**

**Colour/Mono**

CCD BOARD CAMERA

**Day/Night**



Model : **VPC-795BDN** (PAL)

- ..... 42 (W) x 42 (L) x 34 (H) mm board camera
- ..... 1/3 " CCD Colour DSP Camera
- ..... **High Sensivity 0,01 lux**
- ..... **Auto switching IR cut filter**
- ..... External sync. input (VBS - HD/VD - L/L)
- ..... Y/C video output
- ..... **Low Smear**
- ..... **Sensitive in near infra rad region**

Note : NTSC version available - model **VPC-790BDN**

## Specifications

Image sensor :  
Effective pixels :  
TV system :

Video Output :  
Scanning system :

Synchronisation :  
Horizontal resolution :  
Min. Illumination :

S/N ratio :  
AGC :  
Electronic Iris :

White Balance :

Gamma :  
BLC :

Power supply :  
Current consumption :  
Operation :  
Storage :

Built-in lens :  
Lens options :  
Weight :

1/3 inch **High Sensitive** Inter-line type colour CCD image sensor  
752 (H) x 582 (V) - 437.664 pixels  
PAL

VBS 1,0 Vpp sync. Negative 75 ohms unbalanced **and** Y/C (S-Video)  
2 : 1 interlace

Internal (Quartz) / External (VBS or HD / VD or L / L)  
more than 450 TV lines

**0,01 lux** (Output level 50% / AGC ON +48dB / F1,4)

better than 50 dB (AGC OFF)

**ON** (Factory set) / **Selectable 8 modes**: up to +48dB by jumper land settings

**ON**: 1/50 sec. → 1/30.000 sec. - **FL**: 1/120 sec. - **OFF** : 1/50

**Fixed shutter speed available by jumper land setting**  
ATW (2600°K → 9000°K) / ATW Lock / OFF selectable  
0,45

**ON** (Center) / **OFF** selectable

typ. DC 12 V (6.0 ↔ 15V)

150 mA at DC 12 V

-5 °C to + 50 °C max. 80% humidity

-25 °C to + 60 °C max. 80% humidity

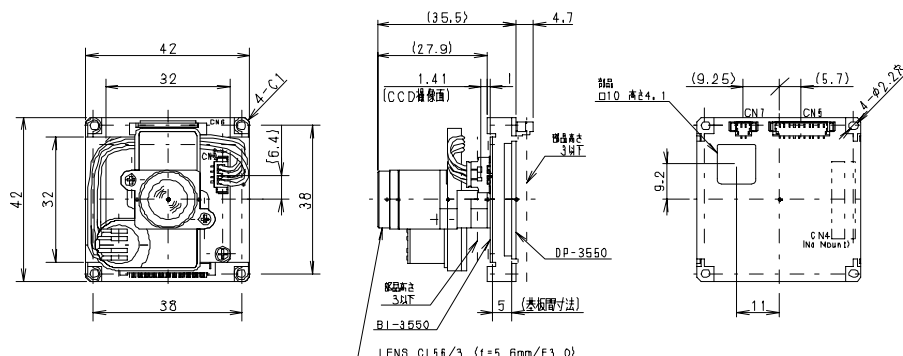
f=5,6mm F3,0 Miniature lens

f=8,0mm / f=16,0mm / f=25,0mm

35 g. (With f=5,6mm lens)

## Dimensions

42 (W) x 42 (L) x 35.5 (H) mm



42 mm ± 2 mm